

**Hi-Tensile Stainless Steel**

# **A2-100 Socket Cap Screw**

**Help to Down Size & Cost Down!!**



**Japan Made**

**Heat Resistant: till 500 °C**

**M6-M 16 : In Stock!!**



HIGH SPEED & HIGH QUALITY  
**SAIMA CORPORATION**

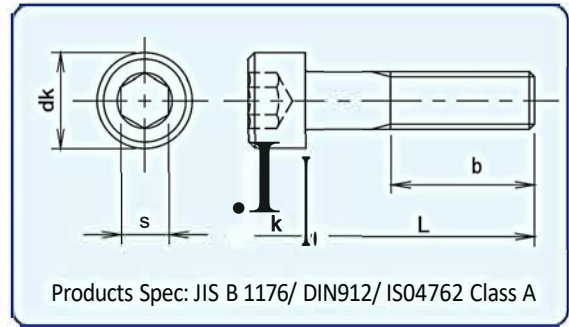
2-9-17 Tsujido, Fujisawa, Kanagawa ,251-0047, Japan  
TEL: +81-466-36-3656 FAX: +81-466-36-0009 export@saima.co.jp

[www.saima.co.jp/English](http://www.saima.co.jp/English)



# A2-100 Socket Cap Screw

**Hi-Tensile Stainless Steel**



## Tensile Strength and 0.2% Yield Strength

		Tensile Strength	0.2% Yield Strength
		N	N
A2-50	M6	10,050	4,221
	M8	18,300	7,686
	M10	29,000	12,180
	M12	42,150	17,703
	M16	78,500	32,970
A2-70	M6	14,070	9,045
	M8	25,620	16,470
	M10	40,600	26,100
	M12	59,010	37,935
	M14	80,500	51,750
A2-100	M6	20,100	16,080
	M8	36,600	29,280
	M10	58,000	46,400
	M12	84,300	67,440
	M16	157,000	125,600

## Down Size & Cost Down!!

**Narrow** **Up Size** **Heavy**

**A2-50** **M20x60** **WEIGHT 211.40g/pc**

**A2-70** **M14x60** **WEIGHT 92.60g/pc**

**A2-100** **M12x60** **WEIGHT 63.90g/pc**

**Spacious** **Down Size** **Light**

	Tensile Strength (N/mm <sup>2</sup> )	0.2% Yield Strength (N/mm <sup>2</sup> )
A2-50	500	210
A2-70	700	450
A2-100	1,000	800

### < Stock Size >

	M 6	M 8	M 10	M 12	M 16
L	Box Q'ty	Box Q'ty	Box Q'ty	Box Q'ty	Box Q'ty
12	200	100			
15	200	100			
20	200	100	100		
25	200	100	100		
30	200	100	50	50	35
35		100	50	50	35
40		100	50	50	35
45		100	50	50	35
50		100	50	40	35
55				50	35
60				30	35
65				30	
70				40	

\*Full thread above thick line.

**:JaP-anMade**

**Heat Resistant: till 500 °C**

**M6-M16: In Stock!!**



--- HIGH SPEED & HIGH QUALITY ---  
**SAIMA CORPORATION**